

# **GPF** *Series*



- Energy Saving Lamp & Ballast Configurations
- Heat Management System
- Rugged 5V Rated Non-Metallic Housing
- Poured-in-Place, Closed Cell Gasket
- Stainless Steel Latches
- Stainless Steel Mounting Hardware
- Tool-Less Entry for Easy Installation & Maintenance
- ETL Listed for Wet Locations
- NSF Certified for Splash Zones
- NEMA 4X Certified
- IP 65, IP67

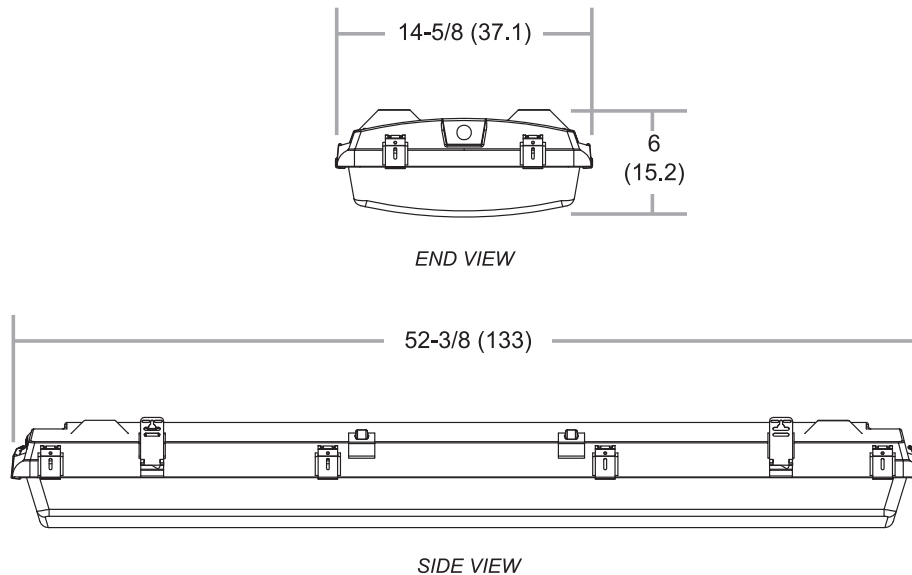


**LIGHTING ETC.**  
INCORPORATED

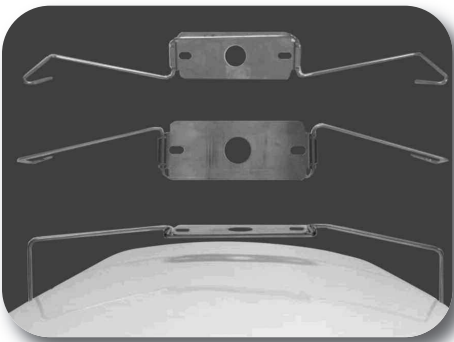
## Product Overview

The **GPF (General Purpose Fluorescent) Series** is a rugged non-metallic fluorescent luminaire specifically designed as an alternative, energy saving solution to replace most 250 thru 400 watt metal halide fixtures. The GPF is ideal for food processing facilities, cold storage plants, dairies, bottling facilities and any industrial environment where water spray, humidity, dust or corrosive chemicals are present.

## Dimensions



## Mounting Options



## Latch Options



**Stainless Steel Latches**



**Plastic Latches**



**LIGHTING ETC.**  
INCORPORATED