



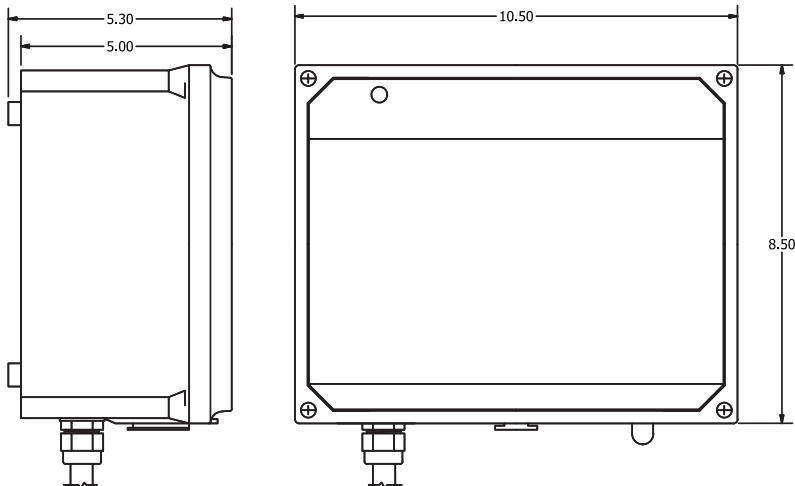
EWP-LED Series



Description

The **EWP-LED Series** is a rugged and compact emergency LED fixture specifically engineered for heavy hose-down and wet environments. The EWP-LED Series is fully assembled, pre-wired and ready to install utilizing polycarbonate mounting feet which allows for easy cleaning between the wall and the back of the fixture. If power is lost, the EWP-LED Series will automatically switch to emergency mode energizing the LEDs for a minimum of 90 minutes. Once power is restored the EWP-LED Series will return to stand-by mode and recharge the maintenance free, nickel cadmium battery. All EWP fixtures ship complete with 3' STO lead and water-tight cord grip.

Dimensions



Date	Catalog #
Type	Project
Prepared by	Comments

Features and Specifications

ENCLOSURE

NEMA 4X polycarbonate, high impact housing is UV f1 rated with brass inserts for securing mounting brackets. The compact design allows for easy mounting in confined areas.

LENS

High impact, clear polycarbonate lens with continuous closed cell gasket provides a positive seal for lens. Lens is held in place by four captive stainless steel screws.

ELECTRICAL

Dual voltage, sealed-maintenance free emergency LED driver is factory wired to customer specified voltage, (120V or 277V). When AC power fails, the EWP-LED Series immediately switches to emergency mode, energizing the LEDs for a minimum of 90 minutes. When AC power is restored, the EWP-LED automatically returns to charging mode. (Front mounted charge light illuminates when in charging mode). The EWP-LED fixture ships complete with push-to-test switch and 3' STO lead.

CERTIFICATIONS

Meets UL 924, Wet Location and NEMA 4X requirements

Ordering Information

Example Catalog Number – EWP-LED-EM-12

EWP-LED - EM - 12

A
Series

B
Operation

C
Voltage

□ - □ - □

Catalog Logic:

A. Series

EWP-LED = Emergency LED Wall Pack

B. Operation

EM = Emergency Only Operation

AC = AC Only Operation

C. Voltage

12 = 120 Volt

27 = 277 Volt

Consult factory for all available options & configurations

Catalog Logic

Catalog Number	Voltage	Description
EWP-LED-EM-12	120V	Emergency Only
EWP-LED-EM-27	277V	Emergency Only
EWP-LED-AC-12	120V	AC Only Operation
EWP-LED-AC-27	277V	AC Only Operation

