



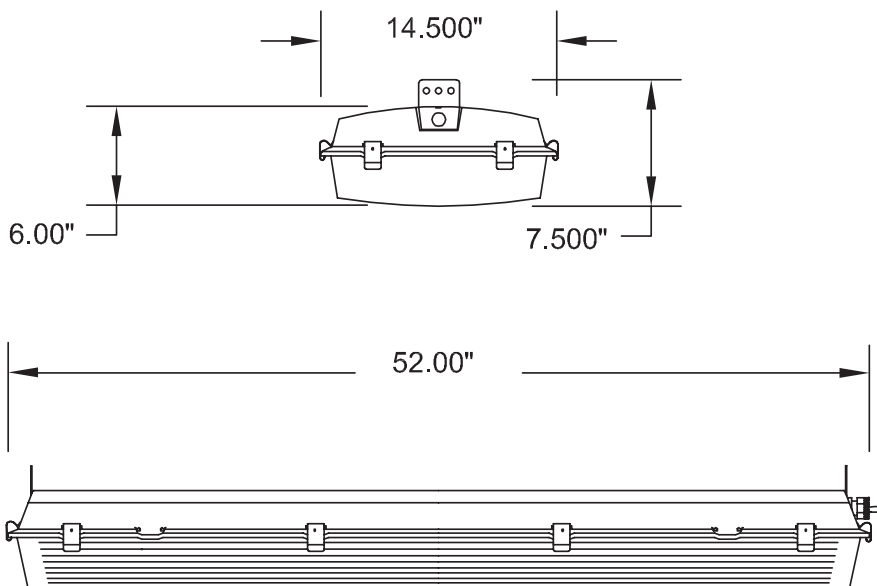
# FLB-RS Series



## Description

The **FLB-RS (Fluorescent Low Bay – Rough Service) Series** is designed for the harshest of hose-down and wet environments while being a responsible, energy efficient alternative to metal halide and Pulse-Start metal halide fixtures. The **FLB-RS Series** ships completely assembled with LEI's exclusive factory installed "ROUGH-SERVICE" features making this tough luminaire the perfect choice for slaughter houses, food processing facilities, breweries and any extreme wet or hose-down institutional or industrial environment.

## Dimensions



Date	Catalog #
Type	Project
Prepared by	Comments

## Features and Specifications

### EXCLUSIVE "RS" (ROUGH SERVICE) FEATURES

- Industry tested and proven lampholder bridge system with spring loaded lampholders
- Stainless steel center mounting brackets
- Factory installed 6' STO lead with heavy duty, corrosion and water resistant cord grip
- Optional 3-wire male receptacle for quick disconnect
- Optional stainless steel single point hanger
- All "RS" fixtures ship completely assembled and ready to install out-of-box

### ENCLOSURE

Fiberglass reinforced polyester housing is UL 94 and UL 746 5VA flammability rated. Rounded edges and water shed design allow for quick and easy clean up during high pressure hose down. Poured-in-place continuous closed cell gasket provides a seamless seal for lens.

### LENS

Impact resistant UV stabilized, lens available in a clear or frosted face with frosted ends to reduce direct glare. Held tightly in place by twelve (12) stainless steel captive latches to assure a positive seal and lens retention.

### GEAR TRAY

Secured in place by four (4) internal stainless steel clips, the painted 22 gauge metal gear tray can be opened from either side for quick and easy maintenance. Internal mirror reflectors are optional.

### ELECTRICAL

Thermally protected Class P, Universal Voltage (120V - 277), electronic ballast standard.

### MOUNTING

Stainless steel center mounting brackets allow for easy installation and maintenance. Brackets allow for mounting with optional stainless steel fixed mounts, stainless steel single point hanger, or stainless steel third-party cable mounting systems.

### CERTIFICATIONS

- ETL Listed UL 1598 for Wet Location
- ETL Listed CSA Std C22.2 No.250.0
- NSF Certified
- IP65, IP66, IP67 Certified
- NEMA 4X Certified
- High Pressure Tested at 1500 PSI

## Ordering Information

Example Catalog Number – FLB-RS-654-U-XXX

<b>FLB-RS</b>	-	<b>6</b>	-	<b>54</b>	-	<b>U</b>	-	[ ]
<b>A</b>		<b>B</b>		<b>C</b>		<b>D</b>		<b>E</b>
Series		Lamps		Wattage		Voltage		(Options)
[ ]	-	[ ]	-	[ ]	-	[ ]	-	[ ]

### Catalog Logic:

#### A. Series

FLB-RS = Fluorescent Low Bay ROUGH SERVICE

#### B. Lamps

4  
6

#### C. Wattage

32 = 32 watt T8  
54 = 54 watt T5HO

#### D. Voltage

U = Universal Voltage (120V - 277V)  
48 = 480V  
PS = Program Start T8 Ballast  
HL = High Lumen T8 Ballast  
HT = High Temp T5HO Ballast  
UEN = Non-Switching Universal Voltage (120V - 277V) Battery Back-Up (T8 Only)  
UENST = Non-Switching Universal Voltage (120V - 277V) Self-Testing Battery Back-Up (T5HO Only)  
EN12 = Non-Switching 120V Battery Back-Up (T5HO Only)  
EN27 = Non-Switching 277V Battery Back-Up (T5HO Only)  
EN48 = Non-Switching 480V Battery Back-Up

#### E. Options

R3 = Mini-Receptacle, 3-Wire, Male  
M = Mirror Reflector  
MS = Wet Location Motion Sensor  
L41 = Non-Coated 841 Lamps  
CL41 = Coated 841 Lamps

Consult factory for all available options & configurations

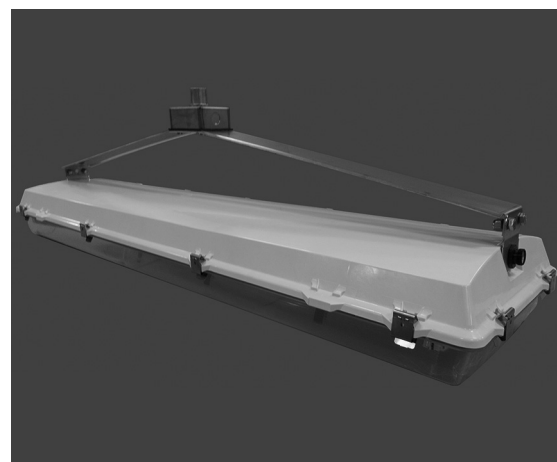
## Replacement Parts & Accessories

F-LNA	Clear Acrylic Lens - 4'
F-LNAF	Frosted Acrylic Lens - 4'
F-SSL	Stainless Steel Captive Latch
R3	Mini-Receptacle, 3-Wire, Male
SF3-6	Mini-Connector, 3-Wire, Female - 6'
RS-SFM	Stainless Steel Fixed Mounting Kit
RS-SPH	Stainless Steel Single Point Hanger
GSS-5	Stainless Steel 5' Gripple Cable Kit with hooks
GSS-10	Stainless Steel 10' Gripple Cable Kit with hooks

## Mounting Options



RS-SFM



RS-SPH



**LIGHTING ETC.**  
INCORPORATED