



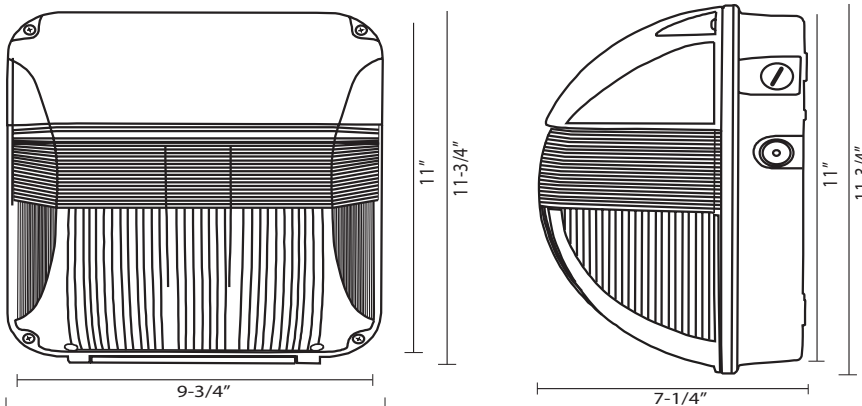
LWP Series



Description

The **LWP Series** is an energy saving LED replacement for HID wall packs. The sleek, modern design is suitable for most indoor damp and wet areas. The IP67 driver and LEDs are rated for over 50,000 hours. Die cast aluminum housing has 1/2" NPS tapped on both sides and on the back for easy installation of conduit or photo-control. Applications include freezers, food processing areas, and other refrigerated damp and wet locations.

Dimensions



Date	Catalog #
Type	Project
Prepared by	Comments

Features and Specifications

ENCLOSURE

Heavy duty die cast aluminum with cast in drilling template for easy mounting to junction box. Housing has (3) 1/2" NPS entry points on both sides and back. Bronze finish is a durable polyester powder coat applied after a multi stage pre-treatment process. Housing and door are sealed with a high temperature silicone gasket.

LENS

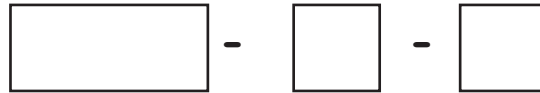
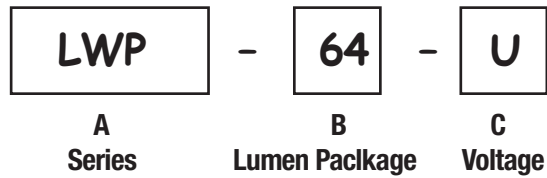
Injection molded, clear ribbed polycarbonate diffuser with UV inhibitors.

ELECTRICAL

Universal voltage (120V-277V) driver with 6,400 lumen LED light engine. LEDs produce 4000 CCT light with an overall efficacy of 152 LPW and 84 CRI.

Ordering Information

Example Catalog Number – LWP-64-U



Catalog Logic:

A. Series

LWP-LED = LED Wall Pack

B. Lumen Package

64 = 6,400 Lumen Package

C. Voltage

U = Universal Voltage 120V – 277V

Consult factory for all available options & configurations



LIGHTING ETC.
INCORPORATED