



NXGEN Series



Date	Catalog #
Type	Project
Prepared by	Comments

Features and Specifications

ENCLOSURE

Highly engineered, three-piece aluminum housing was designed for superior thermal management. Exterior is protected by an industry proven, white, FDA approved coating. The smooth, water-shed design allows for superior clean up during sanitation. The **NXGEN Series** has **NO EXPOSED HEAT SINKS, FINS OR OPENINGS THAT CAN HARBOR OR COLLECT CONTAMINENTS AND BACTERIA.** Heavy duty, custom fabricated, proprietary gaskets provide an enhanced seal which facilitates the robust IP69K rating. All external hardware is stainless steel.

LENS

Frosted, low profile, chemical resistant lens provides uniform lighting distribution and reduces glare. Lens is sealed in place by a proprietary stainless steel ring and stainless steel captive screws.

ELECTRICAL

IP rated, universal voltage (120V-277V) drivers standard. Optional 0-10V dimming, 480V, battery back-up and motion sensor configurations are available. **NOTE: Fixtures ordered with optional battery back-up will have a RED top cap for easy identification.** Proprietary, custom designed metal clad boards populated with Nichia, greater than 80 CRI LEDs in 4000K or 5000K CCT. 10kA surge protector provided on all 120V-277V units and 20kA surge protector standard on 480V units. All standard units will be supplied with a factory installed, six-foot, #16 AWG 3-conductor, yellow STOW cable secured with a proprietary stainless steel, potted strain relief. An optional, factory installed, quick disconnect is also available.

MOUNTING

Threaded, 3/4" hub allows for pendant mounting or use of LEI's proprietary, forged stainless steel mounting hook. Optional stainless steel safety cable available.

CERTIFICATIONS

- DLC listed
- ETL listed UL 1598 for WET LOCATIONS
- ETL listed UL 1598 for Battery Back-up
- ETL listed CSA Std. C22.2 No. 250.0
- ETL listed ANSI/NSF 2 for Splash Zones

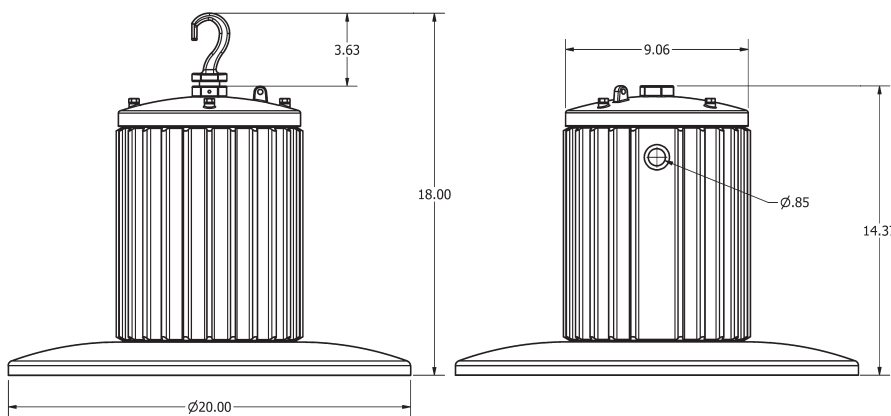
Description

The **NXGEN Series** is an energy efficient, sustainable LED alternative to 400-watt metal halide fixtures. The smooth, heavy duty, **IP69K** rated housing allows for quick and easy clean-up while withstanding daily exposure to harsh chemicals and high-pressure wash-down. The easy-to-maintain design allows quick access to drivers and LED boards, which extends operational life and enhances the total cost of ownership. To address worker safety, the **NXGEN Series** utilizes a flat, **FROSTED** lens to provide a less stressful, **GLARE-FREE** work environment. The top cap is designed to allow for the attachment of an optional stainless steel **Safety Cable**. And lastly, the **NXGEN Series** is the first industrial grade LED to offer an optional **ETL LISTED, FACTORY INSTALLED, INTERNAL BATTERY BACK-UP** that delivers 90 minutes of egress lighting. ETL tested and certified to UL standards, the **NXGEN Series** is the optimal general lighting solution for food processors, the beverage industry and any other harsh or wet environments.

Dimensions

SHOWN WITH SS MOUNTING HOOK

SHOWN WITHOUT HOOK



NOTES:

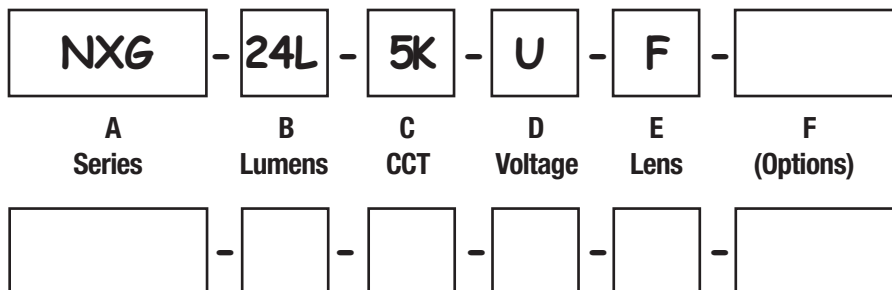
1. Dimensions shown are in inches.
2. All dimensions are approximate.
3. LEI reserves the right to change the design at any time without notice.

Warranty

- 5-year limited warranty. See LEI website for complete details.

Ordering Information

Example Catalog Number – NXG-24L-5K-U-F



Catalog Logic:

A. Series

NXG = NXGEN

B. Lumen Package

24L = 24,000 Nominal Lumens

C. CCT

4K = 4000K, 80 CRI

5K = 5000K, 80 CRI

D. Voltage

U = Universal Voltage (120V-277V)

48 = 480V

UNB = Non-Switching Battery Back-Up,
Universal Voltage (120V – 277V)

USB = Switching Battery Back-Up, Universal
Voltage (120V – 277V)

48NB = Non-Switching Battery Back-Up,
480V Only

48SB = Switching Battery Back-Up, 480V Only

E. Lens

F = Frosted

F. Options

MOS = Microwave Occupancy
Sensor

R3 = Mini-Receptacle, 3-Wire, Male

R4 = Mini-Receptacle, 4-Wire, Male

YL-X = Yellow Lead, 16 AWG, 3-Wire,
X-ft Length – (**X = Length.**

Length to be specified).

**(Fixtures come standard with
6' yellow 16 AWG 3-wire lead
unless specified otherwise.)**

NXG-HK = Stainless Steel Mounting
Hook

SC5 = 5' Stainless Steel Safety Cable

SC10 = 10' Stainless Steel Safety Cable

Performance Data

Lumen Package	Lens Type	CCT	Actual Lumens	System Watts	Lumens per Watt	CRI	Ambient Rating
24L	Frosted	4000K	24,290	221	110	83	-35°C to 55°C*
		5000K	24,530	219	112	84	

* OPERATING RANGE:
(120V-277V) = -35°C to 55°C
480V = -35°C to 45°C
Battery Back-Up = -35°C to 35°C

Consult factory for all available options & configurations.

Not all configurations of this fixture may be DLC qualified. Please consult the DLC Qualified Products list @ www.designlights.org to see if the version in which you are interested is listed.

Replacement Parts & Accessories

R3 = Mini-Receptacle, 3-Wire, Male

R4 = Mini-Receptacle, 4-Wire, Male

SF3-6 = Mini-Connector, 3-Wire, Female – 6'

SF4-6 = Mini-Connector, 4-Wire, Female – 6'

NXG-HK = Stainless Steel Mounting Hook

SC5 = 5' Stainless Steel Safety Cable

SC10 = 10' Stainless Steel Safety Cable

SP10 = 10kA Surge Protector

SP20 = 20kA Surge Protector

LB-HGAS = Housing Gasket

LB-LGAS = Lens Gasket

LB-LF = Frosted, Flat Lens

NXG-FLFA = Frosted Lens Frame Assembly

N-DR-21L = Driver, 120W, 2450mA, (120V-277V)

LB-LB-48-C = LED Board, 4000K, 80 CRI

LB-LB-58-C = LED Board, 5000K, 80 CRI

Mounting Options



NXG-HK



Optional Safety Cable
(Shown with optional NXG-HK mounting hook)



LIGHTING ETC.
INCORPORATED