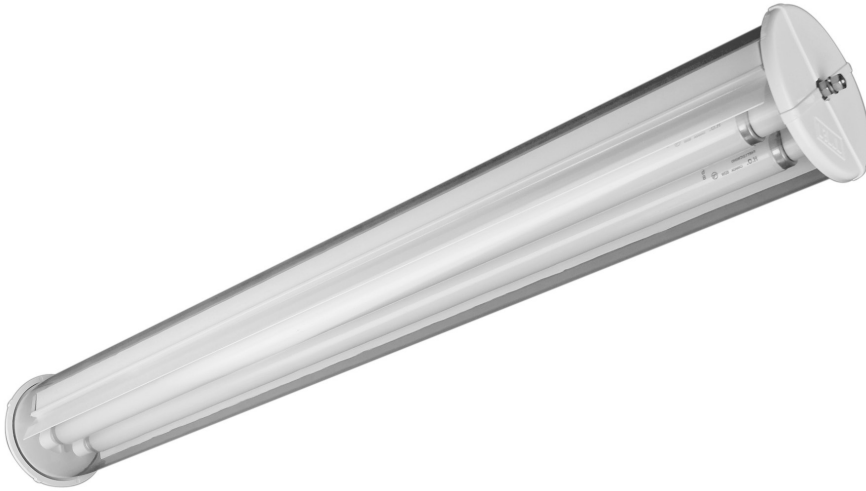




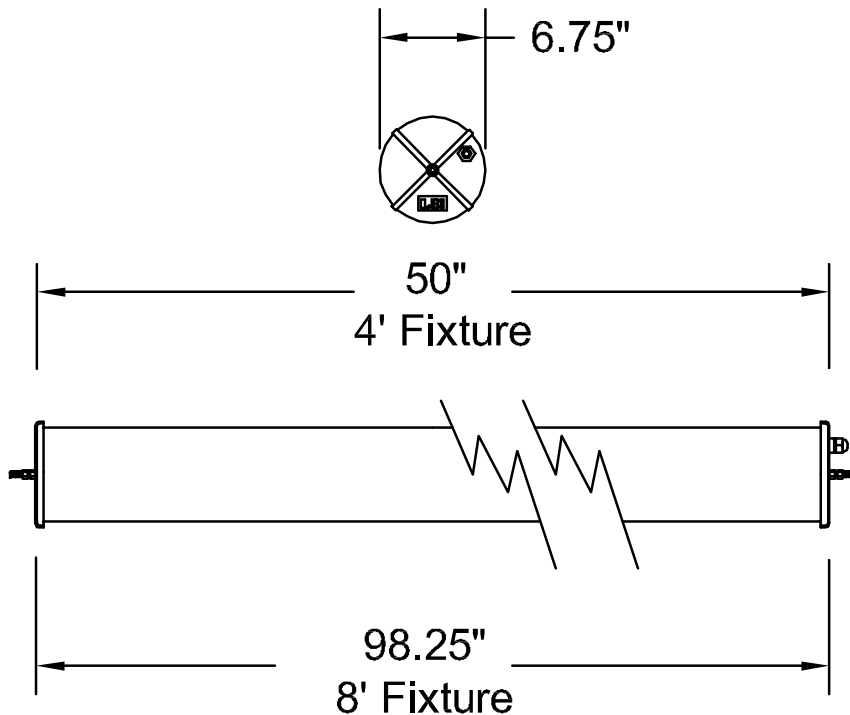
# SEAL LITE Series



## Description

LEI's **SEAL LITE Series** is the premier light fixture for the food processing industry. The time tested and proven sealed tubular design is ETL listed for Wet Location and pressure tested to 1500 PSI. The **SEAL LITE Series** complies with USDA sanitation and ANSI/NSF2 splash zone requirements making it the ideal choice for all types of meat or prepared food processing plants. Other applications include carwashes, bottling and canning plants, pharmaceutical plants and any industrial application requiring exposure to heavy hose-down and caustic cleaning chemicals.

## Dimensions



Date	Catalog #
Type	Project
Prepared by	Comments

## Features and Specifications

### ENCLOSURE

High impact resistant, DR blended clear acrylic tube with smooth water shed design allows for quick and easy cleaning of food particles or contaminates. A water-resistant seal is formed by compressing the tube between two fully gasketed polycarbonate or optional stainless steel end caps. Stainless steel hardware insures a positive seal.

### INTERIOR HOUSING

Corrosive and rust resistant, heavy duty extruded aluminum channel finished with highly reflective, FDA approved baked on white enamel. Channel is enclosed and covered by painted sheet aluminum and aluminum end plates. Mirror reflector optional.

### ELECTRICAL

Ballasts are energy saving, electronic Class P type. Most fixtures supplied with Universal Voltage (120V - 277V) with an option for (480V). All fixtures are supplied with six-foot, #16 AWG 3 conductor STOW and water-tight strain relief cord connector. Optional 3-wire quick disconnect mini-male receptacle available.

### MOUNTING

Chain mounting kit with hooks and brackets standard. Optional fixed or band mounts available. All mounting hardware is stainless steel.

### CERTIFICATIONS

- ETL listed 1598 for wet location
- ETL Listed ANSI/NSF2
- High Pressure Tested to 1500 PSI

## Ordering Information

Example Catalog Number – S8-654P-U-XXX

S	-	8	-	6	-	54P	-	U	-	
A		B		C		D		E		F
Series		Nom.Length		Total Lamps		Wattage		Voltage		(Options)
	-		-		-		-		-	

### Catalog Logic:

#### A. Series

S = SEAL LITE

#### B. Nominal Length

2 = 2'

4 = 4'

8 = 8'

#### C. Total Lamps

2

3

4

6

#### D. Wattage/Type

2' Nom. Length

170 - T8

24P - T5HO

4' Nom. Length

28P - T5

320 - T8

40R - T12

44H - T8HO

48H - T12HO

54P - T5HO

8' Nom. Length

320 - T8

54P - T5HO

590 - T8

86H - T8HO

96H - T12HO

#### E. Voltage

U = Universal Voltage: (120v – 277v)

48 = 480V

E12 = 120V (T12 40W Only)

E27 = 277V (T12 40W Only)

UEN = Non-Switching Universal Voltage (120V - 277V) Battery Back-Up (T8, T8HO, T12 and T12HO Only)

UENST = Non-Switching Universal Voltage (120V - 277V) Self-Testing Battery Back-Up (T5HO Only)

EN12 = Non-Switching 120V Battery Back-Up (T5HO and T12 40W Only)

EN27 = Non-Switching 277V Battery Back-Up (T5HO and T12 40W Only)

EN48 = Non-Switching 480V Battery Back-Up

UEO = Battery Back-Up ONLY Operation, Universal Voltage (120V - 277V) (T8, T8HO, T12, T12HO Only)

UEOST = Battery Back-Up ONLY Operation, Universal Voltage (120V - 277V) Self-Testing (T5HO Only)

E012 = Battery Back-Up ONLY Operation, 120V (T5HO, T12 40W Only)

E027 = Battery Back-Up ONLY Operation, 277V (T5HO, T12 40W Only)

#### F. Options

PS = Program Start T8 Ballast

HL = High Lumen T8 Ballast

HT = High Temp T5HO Ballast

M = Mirror Reflector (T8, T5HO)

R3 = Mini-Receptacle, 3-Wire, Male

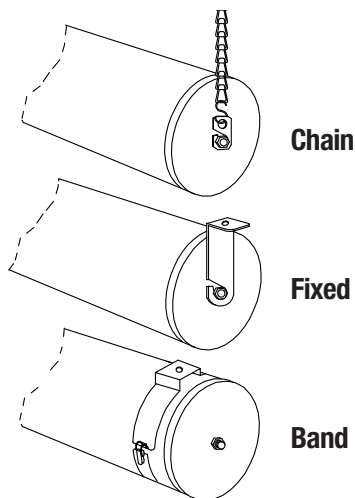
S = Stainless Steel End Caps

L41 = Non-Coated 841 Lamps (T8 32W and T5HO Only)

CL41 = Coated 841 Lamps (T8 32W and T5HO Only)

Consult factory for all available options & configurations

## Mounting Options



## Replacement Parts & Accessories

### Tubes

LCT-2 Clear Acrylic Tube – 2'

LCT-4 Clear Acrylic Tube – 4'

LCT-8 Clear Acrylic Tube – 8'

### Plastic End Caps

XEC X-treme End Cap, White, Non-Electrical (AC Only)

XEC-E X-treme End Cap, White, Electrical (AC Only)

XEC-EM X-treme End Cap, Red, Non-Electrical (Battery Back-Up)

XEC-EME X-treme End Cap, Red, Electrical (Battery Back-Up)

### Stainless Steel Version 1 End Caps

HDS Stainless Steel Version 1 End Cap with O-Ring, Non-Electrical (AC Only)

HDS-E Stainless Steel Version 1 End Cap with O-Ring, Electrical (AC Only)

HDS-EM Stainless Steel Version 1 End Cap with O-Ring, Non-Electrical (Battery Back-Up)

HDS-EME Stainless Steel Version 1 End Cap with O-Ring, Electrical (Battery Back-Up)

### Stainless Steel Version 2 End Caps

ECS Stainless Steel Version 2 End Cap, Non-Electrical (AC Only)

ECS-E Stainless Steel Version 2 End Cap, Electrical (AC Only)

ECS-EM Stainless Steel Version 2 End Cap, Non-Electrical (Battery Back-Up)

ECS-EME Stainless Steel Version 2 End Cap, Electrical (Battery Back-Up)

### Gaskets

S-OR O-Ring Gasket for Plastic and Stainless Steel Version 1 End Caps

S-SRG Round Gasket for Stainless Steel Version 2 End Caps

HW-113 Stainless Steel Bonded Washer

### Mounting Options

SCM-1 Stainless Steel 1' Chain Mounting Kit

SFM Stainless Steel Fixed Mounting Kit

SBM Stainless Steel Band Mounting Kit

### Quick Disconnect

R3 Mini-Receptacle, 3-Wire, Male

SF3-6 Mini-Connector, 3-Wire, Female - 6'



**LIGHTING ETC.**  
INCORPORATED