



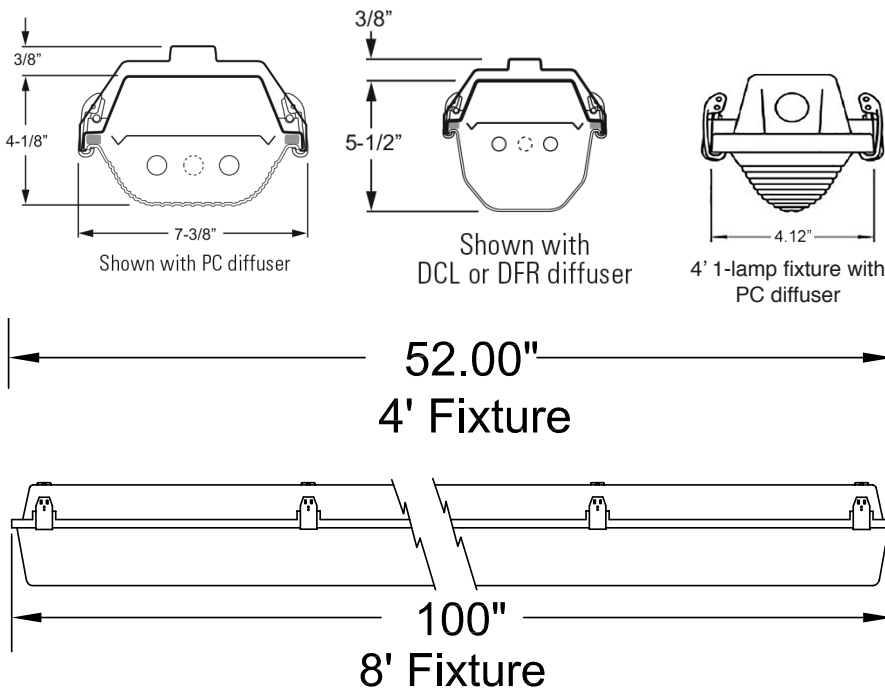
# VG Series



## Description

The **VG Series** is a non-metallic luminaire for use in harsh and wet environments where constant humidity or moisture is present. Offered in T5 and T8 configurations, the **VG Series** is an energy efficient alternative to older, T12 fluorescent products. The **VG Series** is comprised of a heavy duty one piece housing and a high impact resistant lens which is held in place on a poured in, closed cell gasket by plastic or optional stainless steel captive latches. Optional ribbed lens is available. The **VG Series** is available in 2', 4' and 8' lengths with options for 1, 2, 3, 4, and 6 lamp configurations. Food processors, breweries, dairies, parking garages and car washes are just a few areas that can benefit from the **VG Series**.

## Dimensions



Date	Catalog #
Type	Project
Prepared by	Comments

## Features and Specifications

### ENCLOSURE

Fiberglass reinforced polyester housing is UL 5VA flammability rated. Smooth water shed design allows for easy clean up during high pressure hose down. Poured-in-place continuous closed cell gasket provides a seamless seal for lens which resists dust and moisture.

### LENS

Precision molded, high impact clear acrylic lens is held in place with easy to install injected molded polycarbonate latches or optional stainless steel captive latches. Ribbed lens also available.

### GEAR TRAY

The highly reflective and rust resistant painted 20 gauge metal gear tray is held in place by internal stainless steel clips and retaining straps.

### ELECTRICAL

Thermally protected Class P electronic ballast and lampholders rated for wattage and voltage standard. Fixture has entry holes in each end suitable for 1/2" NTP fittings.

### MOUNTING

Stainless steel mounting brackets allow for "drill free" mounting. Hanger bushing also available.

### CERTIFICATIONS

- ETL Listed UL 1598 for Wet Location
- ETL Listed CSA Std C22.2 No.250.0
- NSF Certified
- IP65, IP66, IP67 Certified
- NEMA 4X Certified
- High Pressure Tested at 1500 PSI

## Ordering Information

Example Catalog Number – VG8-654-U-XXX

VG	8	6	54	U	
A	B	C	D	E	F
Series	Nom. Length	Lamps	Wattage	Voltage	(Options)

### Catalog Logic:

#### A. Series

VG = Vapor Guard

#### B. Nominal Length

2 = 2'  
4 = 4'  
8 = 8'

#### C. Lamps

1  
2  
3  
4  
6

#### D. Wattage

32 = 32 watt T8  
54 = 54 watt T5HO  
59 = 59 watt T8  
86 = 86 watt T8HO

#### E. Voltage

U = Universal Voltage (120V - 277V)  
48 = 480V  
UEN = Non-Switching Universal Voltage (120V - 277V) Battery Back-Up (T8, T8HO Only)  
UENST = Non-Switching Universal Voltage (120V - 277V) Self-Testing Battery Back-Up (T5HO Only)  
EN12 = Non-Switching 120V Battery Back-Up (T5HO Only)  
EN27 = Non-Switching 277V Battery Back-Up (T5HO Only)  
EN48 = Non-Switching 480V Battery Back-Up

#### F. Options

PS = Program Start T8 Ballast  
HL = High Lumen T8 Ballast  
HT = High Temp T5HO Ballast  
M = Mirror Reflector  
MS = Wet Location Motion Sensor  
R = Ribbed Lens  
R3 = Mini-Receptacle, 3-Wire, Male  
P6 = STO Lead - 6'  
S = Stainless Steel Captive Latches  
L41 = Non-Coated 841 Lamps Installed (T8 32W and T5HO Only)  
CL41 = Coated 841 Lamps Installed (T8 32W and T5HO Only)

Consult factory for all available options & configurations

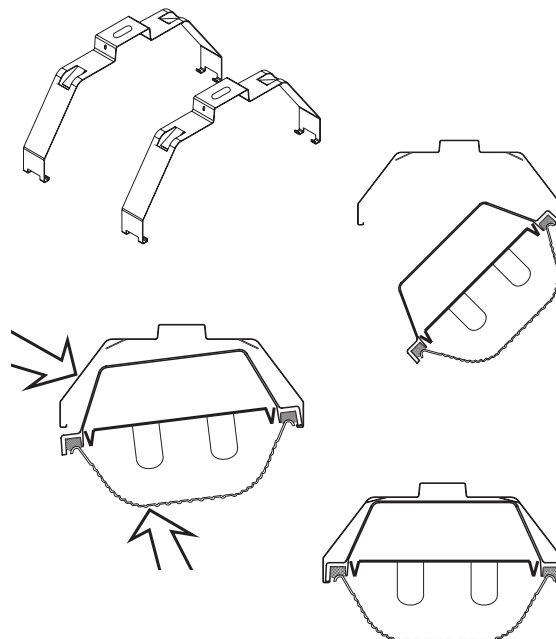
## Replacement Parts & Accessories

V-CL-4	Clear Lens - 4'
V-CL-8	Clear Lens - 8'
V-RL-2	Ribbed Lens - 2'
V-RL-41L	Ribbed Lens - 4' (1-lamp Only)
V-RL-4	Ribbed Lens - 4'
V-RL-8	Ribbed Lens - 8'
V-LP	Polycarbonate Latch
VG-PLK-4	Polycarbonate Latch Kit - 4'
VG-PLK-8	Polycarbonate Latch Kit - 8'
V-LS	Stainless Steel Captive Latch
VG-SLK-4	Stainless Steel Captive Latch Kit - 4'
VG-SLK-8	Stainless Steel Captive Latch Kit - 8'
V-MB1 KIT	Stainless Steel Mounting Bracket Kit (1-lamp Only)
V-MB2	Stainless Steel Mounting Bracket Kit

## Optional Stainless Steel Captive Latches



## Mounting Options



**LIGHTING ETC.**  
INCORPORATED