



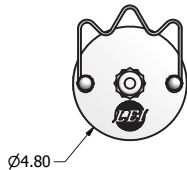
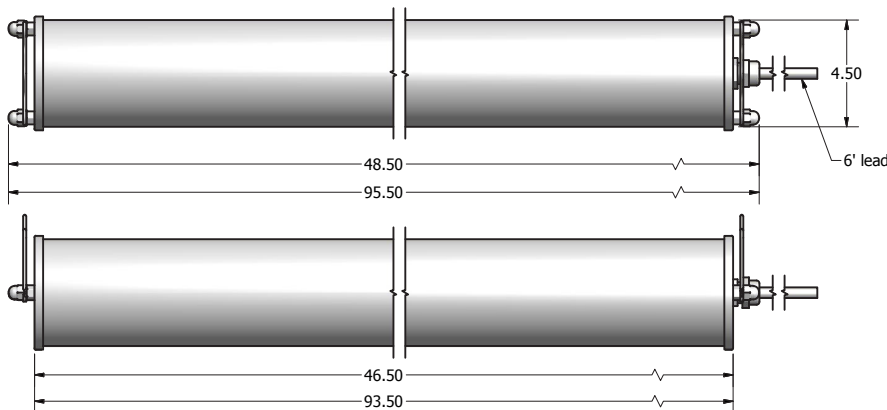
WDL Series



Description

The **WDL Series** is an energy efficient linear LED fixture designed specifically for heavy hose-down applications. The WDL utilizes a proprietary two point closure system comprised of stainless steel end caps and custom molded gaskets to ensure a positive seal. The component base design allows for quick and easy maintenance. The IP69K rated enclosure utilizes a robust .125" thick chemical and impact resistant **FROSTED** lens to provide a **GLARE FREE**, wide distribution light pattern similar to fluorescent products. ETL listed UL 1598 for WET LOCATIONS and Battery Back-Up, CSA Std. C22.2 No. 250.0, NSF 2 for Splash-Zones and IP69K.

Dimensions



Date	Catalog #
Type	Project
Prepared by	Comments

Features and Specifications

ENCLOSURE

High impact, .125" DR blended acrylic FROSTED tube sealed with custom molded gaskets and stainless steel endcaps. A proprietary two point closure system ensures a positive seal. All exposed hardware is stainless steel.

INTERIOR HOUSING

Extruded aluminum gear tray with integrated LED mounting rails and proprietary stainless steel double studs. Gear tray enclosed by heavy duty, painted driver cover.

ELECTRICAL

Universal voltage – (120V-277V), IP67 rated, constant current Class 2 driver. High quality, mid-power LED boards rated at 50,000 hours. Component based for easy maintenance. Consult factory for available configurations.

MOUNTING

Three stainless steel options available:

- Adjustable Suspension Mount
- Proprietary Adjustable / Fixed
- Proprietary Band Mount

CERTIFICATIONS

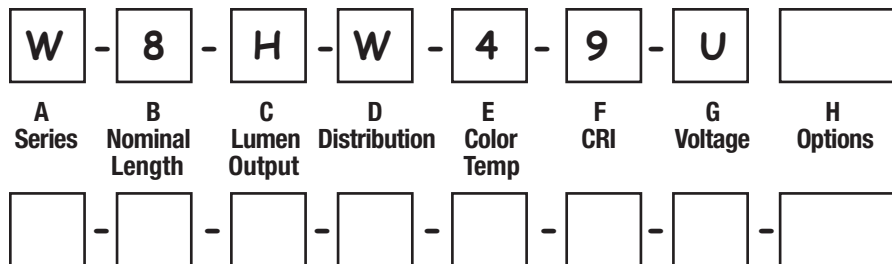
- DLC listed
- ETL listed UL 1598 for WET LOCATIONS
- ETL listed UL 1598 for Battery Back-Up
- ETL listed CSA Std. C22.2 No. 250.0
- ETL listed ANSI/NSF 2 for Splash Zones
- IP69K

Warranty

- 5-year limited warranty. Terms and Conditions Apply.

Ordering Information

Example Catalog Number – W8-HW49-U



Catalog Logic:

5 "Series

W = WDL

6 "Nominal Length

4 = 4'

8 = 8'

7 "Lumen Output M

= Medium

H = High Output

8 "Distribution

W = Wide

9 "Color Temp

4 = 4000K

5 = 5000K

F. Color Rendition Index

8 = >80

9 = >90

G. Voltage

U = Universal Voltage – (120V-277V)

UEN = Universal Voltage – (120V-277V),
Non-Switching Battery Back-Up

UES = Universal Voltage – (120V-277V), Switching
Battery Back-Up

H. Options

R3 = 3 wire male mini-receptacle

R4 = 4 wire male mini-receptacle

SF3-6 = 3 wire female mini-connector – 6'

SF4-6 = 4 wire female mini-connector – 6'

Performance Data

Catalog Number	Length	Lumen Output	CCT	Actual Lumens	System Watts	Lumens per Watt	CRI
W4-MW48-U	4'	Medium	4000K	9,043	76	119	84
W4-MW49-U	4'	Medium	4000K	6,627	73	90	94
W4-HW48-U	4'	High	4000K	10,600	94	112	84
W4-HW49-U	4'	High	4000K	8,030	95	84	95
W4-HW58-U	4'	High	5000K	9,544	95	101	84
W8-MW48-U	8'	Medium	4000K	18,130	149	122	84
W8-MW49-U	8'	Medium	4000K	13,650	145	92	95
W8-HW48-U	8'	High	4000K	22,020	191	115	84
W8-HW49-U	8'	High	4000K	16,120	190	85	95
W8-HW58-U	8'	High	5000K	19,710	195	101	84

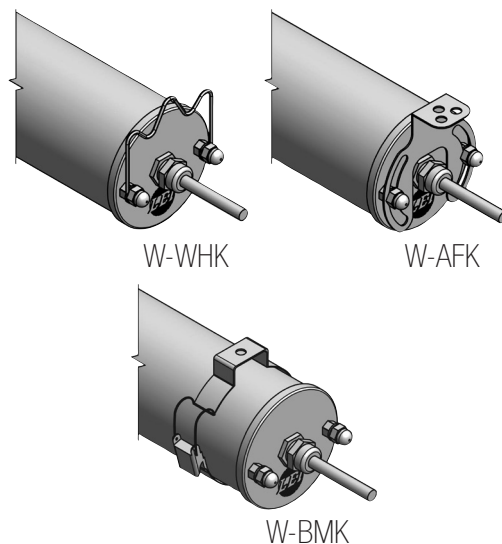
Consult factory for all available options & configurations.

Not all configurations of this fixture may be DLC qualified. Please consult the DLC Qualified Products list @ www.designlights.org to see if the version in which you are interested is listed.

Replacement Parts & Accessories

WFT-4	Frosted Tube – 4'
WFT-8	Frosted Tube – 8'
WEC	Stainless Steel End Cap – Non-Electrical
WEC-E	Stainless Steel End Cap – Electrical
W-MG	Molded Gasket – Non-Electrical
W-MG-E	Molded Gasket – Electrical
W-LB-4N8	4000K – Narrow Dist – 80 CRI
W-LB-4N9	4000K – Narrow Dist – 90 CRI
W-LB-4W8	4000K – Wide Dist – 80 CRI
W-LB-4W9	4000K – Wide Dist – 90 CRI
W-LB-5N8	5000K – Narrow Dist – 80 CRI
W-LB-5W8	5000K – Wide Dist – 80 CRI

Mounting Options



LIGHTING ETC.
INCORPORATED